



## Cambridge International AS & A Level

CANDIDATE  
NAME

CENTRE  
NUMBER

--	--	--	--	--

CANDIDATE  
NUMBER

--	--	--	--



**COMPUTER SCIENCE**

**9618/31**

Paper 3 Advanced Theory

**May/June 2023**

**1 hour 30 minutes**

You must answer on the question paper.

No additional materials are needed.

### INSTRUCTIONS

- Answer **all** questions.
- Use a black or dark blue pen.
- Write your name, centre number and candidate number in the boxes at the top of the page.
- Write your answer to each question in the space provided.
- Do **not** use an erasable pen or correction fluid.
- Do **not** write on any bar codes.
- You may use an HB pencil for any diagrams, graphs or rough working.
- Calculators must **not** be used in this paper.

### INFORMATION

- The total mark for this paper is 75.
- The number of marks for each question or part question is shown in brackets [ ].
- No marks will be awarded for using brand names of software packages or hardware.

This document has **12** pages.

2

1 Numbers are stored in two different computer systems by using floating-point representation.

**System 1** uses:

- 10 bits for the mantissa
- 6 bits for the exponent
- two's complement form for both the mantissa and the exponent.

**System 2** uses:

- 8 bits for the mantissa
- 8 bits for the exponent
- two's complement form for both the mantissa and the exponent.

(a) Calculate the normalised floating-point representation of 113.75 **and** show how it would be represented in each of these two systems.

Show your working.

**System 1**

Mantissa	Exponent																
<table style="width: 100%; border-collapse: collapse;"> <tr> <td style="width: 20px; height: 20px;"></td> <td style="width: 20px; height: 20px;"></td> <td style="width: 20px; height: 20px;"></td> <td style="width: 20px; height: 20px;"></td> <td style="width: 20px; height: 20px;"></td> <td style="width: 20px; height: 20px;"></td> <td style="width: 20px; height: 20px;"></td> <td style="width: 20px; height: 20px;"></td> <td style="width: 20px; height: 20px;"></td> <td style="width: 20px; height: 20px;"></td> </tr> </table>											<table style="width: 100%; border-collapse: collapse;"> <tr> <td style="width: 20px; height: 20px;"></td> <td style="width: 20px; height: 20px;"></td> <td style="width: 20px; height: 20px;"></td> <td style="width: 20px; height: 20px;"></td> <td style="width: 20px; height: 20px;"></td> <td style="width: 20px; height: 20px;"></td> </tr> </table>						

**System 2**

Mantissa	Exponent																
<table style="width: 100%; border-collapse: collapse;"> <tr> <td style="width: 20px; height: 20px;"></td> <td style="width: 20px; height: 20px;"></td> <td style="width: 20px; height: 20px;"></td> <td style="width: 20px; height: 20px;"></td> <td style="width: 20px; height: 20px;"></td> <td style="width: 20px; height: 20px;"></td> <td style="width: 20px; height: 20px;"></td> <td style="width: 20px; height: 20px;"></td> </tr> </table>									<table style="width: 100%; border-collapse: collapse;"> <tr> <td style="width: 20px; height: 20px;"></td> <td style="width: 20px; height: 20px;"></td> <td style="width: 20px; height: 20px;"></td> <td style="width: 20px; height: 20px;"></td> <td style="width: 20px; height: 20px;"></td> <td style="width: 20px; height: 20px;"></td> <td style="width: 20px; height: 20px;"></td> <td style="width: 20px; height: 20px;"></td> </tr> </table>								

Working .....

.....

.....

.....

.....

.....

.....

[4]

(b) Explain the problem that occurred in **part (a)** when representing the number in **system 2**.

.....

.....

.....

..... [2]

2 (a) Draw **one** line from each machine learning category to its **most appropriate** description.

**Machine learning category**

**Description**

Supervised learning	simulates the data-processing capabilities of the human brain to make decisions
Reinforcement learning	enables learning by mapping an input to an output based on example input-output pairs
Deep learning	enables information related to errors produced by the neural network to be transmitted
Unsupervised learning	enables learning in an interactive environment by trial and error using its own experiences
	enables learning by allowing the process to discover patterns on its own that were previously undetected

[4]

(b) Describe the purpose of both the A\* algorithm and Dijkstra's algorithm.

.....

.....

.....

..... [2]

## 4

- 3 (a) A hashing algorithm is used to calculate storage locations for records in a random access file. It calculates hash values by using the function modulus 3.

The function modulus gives the remainder after integer division.

For example,  $1030 \text{ modulus } 3 = 1$ . Therefore, the record key 1030 gives a hash value of 1.

Complete the table to show the remaining hash values.

Record key	Hash value
1030	1
1050	
1025	

[2]

- (b) Describe what happens, in relation to the storage or retrieval of a record in the file, when the calculated hash value is a duplicate of a previously calculated hash value for a different record key.

.....

.....

.....

.....

.....

.....

.....

.....

.....

.....

..... [4]

4 Two descriptions of user-defined data types are given.

Give appropriate type declaration statements for each, including appropriate names.

(a) A data type to hold a set of prime numbers below 20. These prime numbers are:

2, 3, 5, 7, 11, 13, 17, 19

.....

.....

.....

..... [2]

(b) A data type to point to a day in the week, for example Monday.

.....

.....

.....

..... [2]

5 (a) State, with a reason, where it would be appropriate to use circuit switching.

.....

.....

.....

..... [2]

(b) Give **two** benefits and **two** drawbacks of circuit switching.

Benefit 1 .....

.....

Benefit 2 .....

.....

Drawback 1 .....

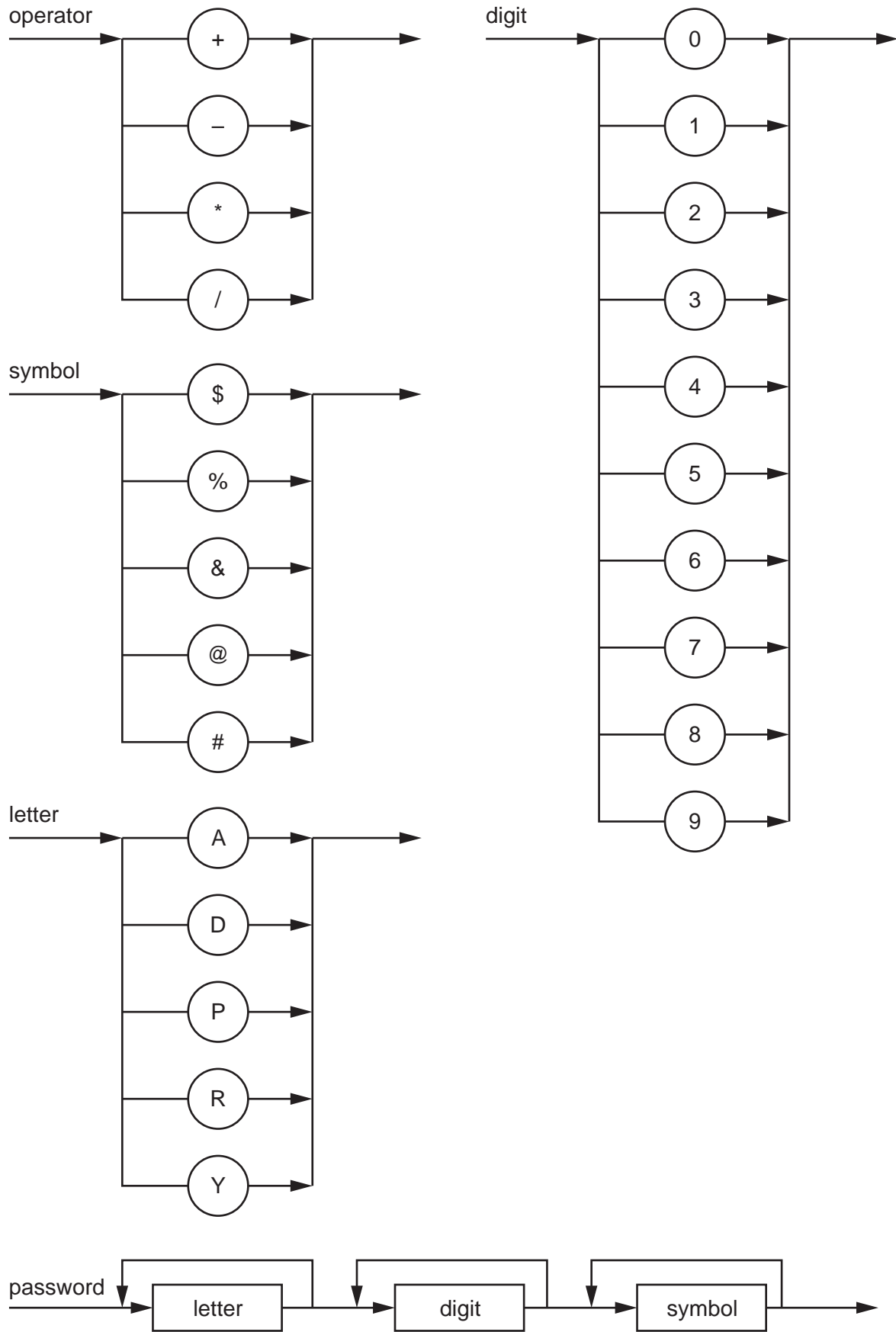
.....

Drawback 2 .....

.....

[4]

6 Several syntax diagrams are shown.



(a) State whether each of the following passwords is valid or invalid and give a reason for your choice.

DPAD99\$ .....

Reason .....

.....

DAD#95 .....

Reason .....

.....

ADY123? .....

Reason .....

.....

[3]

(b) Complete the Backus-Naur Form (BNF) for the syntax diagrams shown.

<symbol> ::= .....

.....

<letter> ::= .....

.....

[1]

(c) An identifier begins with one or more letters, followed by zero digits or one digit or more digits.

Valid letters and digits are shown in the syntax diagrams on page 6.

Draw a syntax diagram for an identifier.

[4]

7 (a) Complete the Karnaugh map (K-map) for the following Boolean expression.

$$Z = \bar{A}\bar{B}\bar{C}\bar{D} + \bar{A}\bar{B}\bar{C}D + \bar{A}B\bar{C}\bar{D} + \bar{A}B\bar{C}D + A\bar{B}\bar{C}\bar{D} + A\bar{B}\bar{C}D$$

		AB			
		00	01	11	10
CD	00				
	01				
	11				
	10				

[2]

(b) Draw loop(s) around appropriate group(s) in the K-map to produce an optimal sum-of-products. [2]

(c) Write the Boolean logic expression from your answer to part (b) as a simplified sum-of-products.

Z = .....  
 ..... [2]

(d) Use Boolean algebra to give your answer to part (c) in its simplest form.

Z = ..... [1]



8 Outline the characteristics of massively parallel computers.

.....  
.....  
.....  
.....  
.....  
..... [3]

9 (a) Encryption is used to alter data into a form that makes it meaningless if intercepted.

Describe the purpose of asymmetric key cryptography.

.....  
.....  
.....  
..... [2]

(b) Identify **two** benefits and **two** drawbacks of quantum cryptography.

Benefit 1 .....  
.....  
Benefit 2 .....  
.....  
Drawback 1 .....  
.....  
Drawback 2 .....  
..... [4]



- (b) Complete the following pseudocode for the function Dequeue to remove the front item from the queue.

```

FUNCTION Dequeue RETURNS STRING
  DECLARE Item : STRING

  ..... > 0 THEN

    Item ← .....

    .....
    IF Length = 0 THEN
      CALL Initialise // reset the pointers
    ELSE
      IF FrontPointer > MaxSize THEN

        ..... ← 1
        ENDIF
      ENDIF
    ELSE
      OUTPUT "The print queue was empty - error!"
      Item ← ""
    ENDIF
  RETURN Item
ENDFUNCTION

```

[4]

- (c) Explain how a new element can be added to the queue if it is implemented using two stacks.

.....

.....

.....

.....

.....

.....

..... [4]

- 12 (a) Describe what is meant by recursion.

.....

.....

.....

..... [2]

